

ACE

Electric Stacker (ESS)

Capacity : 1.5 T - 2.0 T

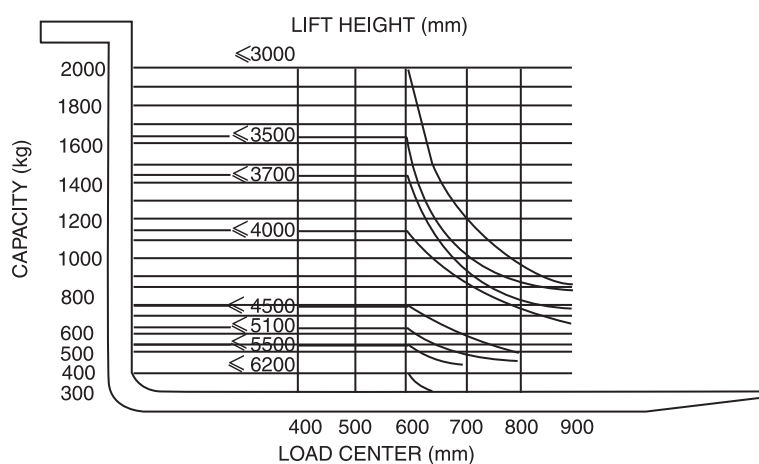
High Performance & rugged
Electric Stacker

ACE INDIA'S NO. 1
MOBILE & TOWER CRANE CO.



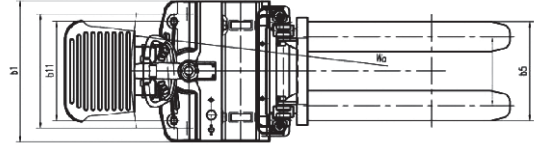
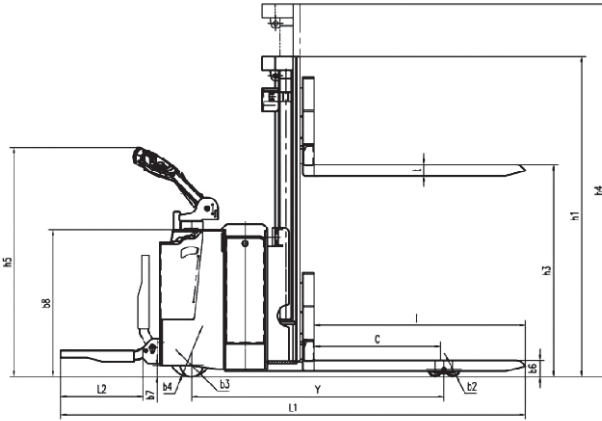
*Nothing beats an **ACE***

| Properties | Description | | Unit | Technical Specifications | |
|----------------|-------------------------------|----|------|--------------------------|-------|
| | Model | | | ESS15 | ESS20 |
| Identification | Type of Drive | | | Fully Electric | |
| | Capacity | Q | Kg | 1500 | 2000 |
| | Lift Height | H3 | MM | 3000 | |
| | Load Center | C | MM | 600 | |
| | Service Weight (apx.) | | Kg | 1170 | 1315 |
| | Wheel Type | | | Polyurethane | |
| Performance | Travel Speed (Laden/Unladen) | | km/h | 5 / 5.3 | |
| | Lift Speed (Laden/Unladen) | | MM/s | 58/148 | |
| | Lower Speed(Laden/Unladen) | | MM/s | 145/80 | |
| | Gradeability(Laden/Unladen) | | % | 5/7 | |
| | Service Brake | | | Electromagnetic | |
| Power | Drive Motor | | Kw | 1.5 | |
| | Lift Motor | | Kw | 3 | |
| | Battery Voltage /Capacity | | V/Ah | 24V/210 | |
| | Control System (CURTIS) | | | 1230-2402(CURTIS) | |
| | Battery Size | | mm | 790x210x576 | |
| Other | Electric Power Steering (EPS) | | | Optional | |
| | Operator Platform | | | Optional | |
| | Adjustable Fork | | | Optional | |



MAST DETAILS FOR ELECTRIC STACKER (ESS Model)

| MAST TYPE | MAX FORK HEIGHT (mm) h3 | LOAD CAPACITY @ MFH (KGS) | | MAST LOWERED HEIGHT (mm) h1 | | MAST EXTENDED HEIGHT (mm) h4 | | FREE LIFT HEIGHT (mm) | |
|-----------|-------------------------|---------------------------|------|-----------------------------|------|------------------------------|------|-----------------------|------|
| | | ES15 | ES20 | ES15 | ES20 | ES15 | ES20 | ES15 | ES20 |
| DUPLEX | 3000 | 1500 | 2000 | 2070 | 2080 | 3845 | 3845 | - | - |
| | 3300 | - | 1900 | - | 2230 | - | 4145 | - | - |
| | 3500 | 1200 | 1650 | 2320 | 2330 | 4345 | 4345 | - | - |
| | 4000 | 1000 | - | 2570 | - | 4845 | - | - | - |
| TRIPLEX | 4500 | 600 | 1200 | 2105 | 2115 | 5355 | 5355 | 1530 | 1620 |
| | 5000 | 500 | 1000 | 2275 | 2285 | 5855 | 5855 | 1696 | 1650 |
| | 5500 | 450 | 780 | 2445 | 2455 | 6355 | 6355 | 1864 | 1680 |
| | 6000 | - | 600 | - | 2615 | - | 6855 | - | 1710 |
| | 6300 | - | 480 | - | 2725 | - | 7155 | - | 1730 |

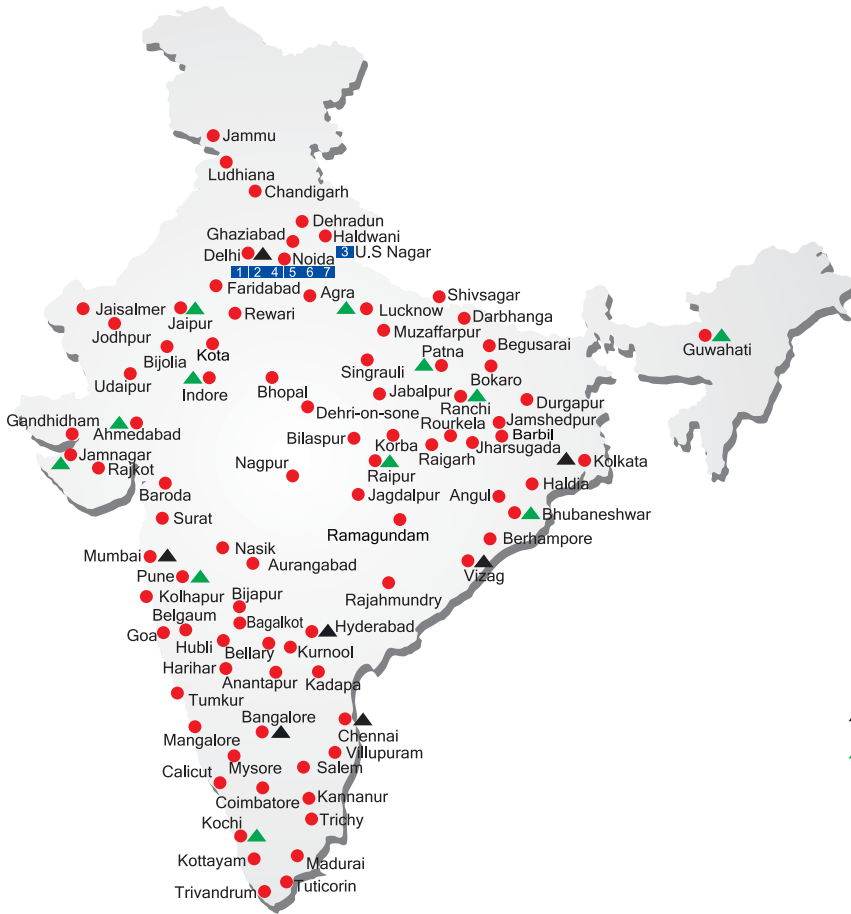


| Properties | Model | Unit | | ESS15 | ESS20 |
|-----------------------|--|------|----|--------------|---------|
| Wheel | Wheel Type | | | Polyurethane | |
| | Size of Front Wheel ϕ | b2 | mm | 96 | |
| | Size of Support Wheel ϕ | b3 | mm | 124 | |
| | Size of Drive Wheel ϕ | b4 | mm | 230 | |
| | Wheel Base | Y | mm | 1362 | |
| | Wheels, Number Front / Rear(x=Driven Wheels) | | | 1 x +2/4 | |
| Specifications | Lowered Height of Fork | b6 | mm | 70 | |
| | Rear Body Width | b11 | mm | 800 | |
| | Rear Body Length | L2 | mm | 585 | |
| | Rear Body height | b8 | mm | 800 | |
| | Height of tiller arm in drive Position Min & Max | h5 | mm | 1030-1200 | |
| | Overall Length | l1 | mm | 2509 | |
| | Overall Width | b1 | mm | 1150 | |
| | Fork Length | L | mm | 1070 | |
| | Width Over Forks | b5 | mm | 200-800 | 240-800 |
| | Ground Clearance | b7 | mm | 30 | |
| | Aisle Width (Pallets 1000x1200 mm) | | mm | 2428 | 2573 |
| | Aisle Width (Pallets 800x1200 mm) | | mm | 2358 | 2506 |
| | Min Turning Radius | Wa | mm | 1530 | 1652 |

Features :

- Articulating polyurethane load wheels for excellent durability, especially on uneven surfaces.
- Regenerative braking.
- **'Battery discharge indicator'** provided to monitor state of charge.
- Stand on platform for operator
- Electromagnetic brakes.
- AC traction motor.
- **'EPS'** Electric power steering system for smooth operation while maneuvering in confined area.
- Quick battery change system.

ALL INDIA NETWORK



SPARE PARTS & SERVICE

ACE has all India Sales and Service network operating out of all the major cities. These outlets are fully equipped to provide genuine spare parts and services by company trained engineers. These outlets are further supported by company officials based at Delhi, Mumbai, Chennai, Kolkata, Ahmedabad, Surat, Pune, Jaipur, Chandigarh, Ranchi, Raipur, Indore, Bhubneshwar, Lucknow, Jamnagar, Hyderabad, Bangalore, Guwahati, Patna, Vizag & Cochin.

CUSTOMER CARE
TOLL FREE No
1800 1800 004

- WORKS
- ▲ REGIONAL OFFICES
- ▲ AREA OFFICES
- SALES AND SERVICE DEALERS



MARKETING H.Q.

4th Floor, Pinnacle, Surajkund, NCR-121009
 Ph. : +91-129-4550000, Fax : +91-129-4550022
 E-mail: marketing@ace-cranes.com, forklifts@ace-cranes.com

REGISTERED OFFICE

Dudhola Link Road, Dudhola, Palwal-121102, Haryana
 Ph.: +91-1275-280111, Fax: +91-1275-280133
 CIN : L74899HR1995PLC053860

MUMBAI OFFICE

31, "Kalpataru Court", Chembur, Mumbai - 74
 Ph.: +91-22-25206846, 25207070, Telefax: 25207071
 E-mail: acemumbai@ace-cranes.com

KOLKATA OFFICE

"Forma Towers" 84-A, Second Floor, AJC Bose Road,
 Kolkata - 14, Ph.: +91-33-65012050
 E-mail: acekolkata@ace-cranes.com

CHENNAI OFFICE

1st Floor, "Alsa Regency", 165, Eldams Road,
 Alwar Pet, Chennai - 18
 Ph.: +91-44-24314253, Telefax: 24314252
 E-mail: acechennai@ace-cranes.com



Action Construction Equipment Ltd.

Contact:



ACE reserves the right to alter any specifications without prior notice. Dimensions, weights & capacities mentioned herein are variable by ± 5%. Accessories if shown are not part of the Standard Equipment.

